



POLICON
Engineering & Manufacturing

***Hydraulic
lift loader (mobile)***

Hydraulic lift loader (mobile)

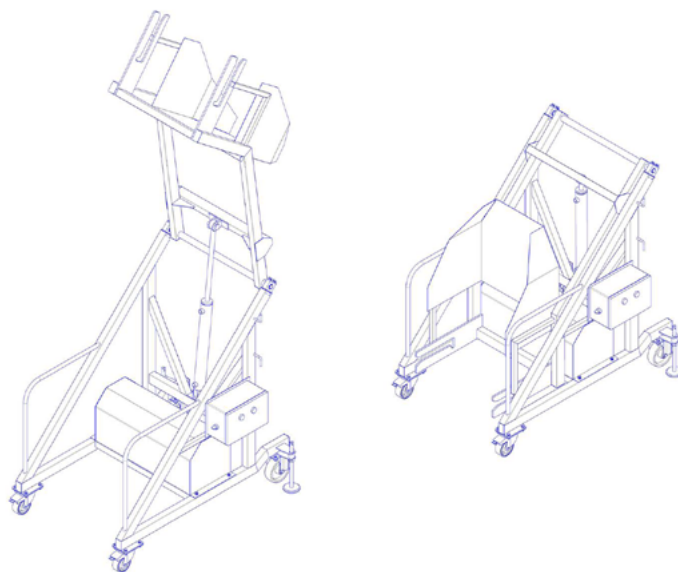


The hydraulic lift is designed for lifting and turning cutter carts with a volume of 100 liters.

Hydraulic lift is a frame that is welded from rectangular and square pipes, in the lower part of which is installed a mini-hydroelectric station and closed with a casing. Wheel supports are attached to the frame to move the lift to different working areas. Also on the frame is a control Cabinet. The front part of the frame is welded with adjustment supports for a stable position during operation.

Product composition and completeness:

1. Support assembly - 2 pcs.;
2. Casing -1 pc.;
3. Frame - 1 pc.;
4. Basket - 2 pcs.;
5. Case - 2 pcs.;
6. Washer - 2 pcs.;
7. Axis - 2 pcs.;
8. Cutter cart 100 l - 1 pc.;
9. Hydraulic cylinder 50x25, stroke 400 mm - 1 pc.;
10. Wheel supports, \varnothing 100 swivel with brake - 2 PCs.;
11. Wheel supports, \varnothing 150 not rotary - 2 PCs.;
12. Mini-hydro station - 1 PC.;
13. Control Cabinet - 1 PC.



Technical Specification:

Type of elevator	mobile, hydraulic
The volume of the tank mini-hydro, l	5
Consumption, l / m	6
Pressure max., Bar	120
Electric motor power, kW	1,5
Motor rotation frequency, rpm	1500
Voltage, V	220
Frequency Hz.....	50
Hydraulic cylinder stroke, mm	400
Lifting Height, mm	1720
Max. carrying capacity, kg	200
Overall dimensions, mm, no more	
length	1317
width.....	1074
height.....	1324
Weight, kg, no more	160

Hydraulic lift loader (mobile)



This product can be manufactured according to the customer's technical specifications, taking into account its specified parameters and features.

Food Machinery

Machinery for tires, rubber, plastics manufacturing

Modernization and automation of production

Non-standart equipment

Production of spare parts, components, assemblies

**Outsourcing services - repair and maintenance of
equipment**

Global engineering solutions



Policon JSCo

194 Lermontov Str, Omsk 644009, Russia

Tel./Fax: +7 (3812) 36 74 12, 36 74 02, 48 48 30

e-mail: info@policon-rt.ru

www.policon-rt.ru